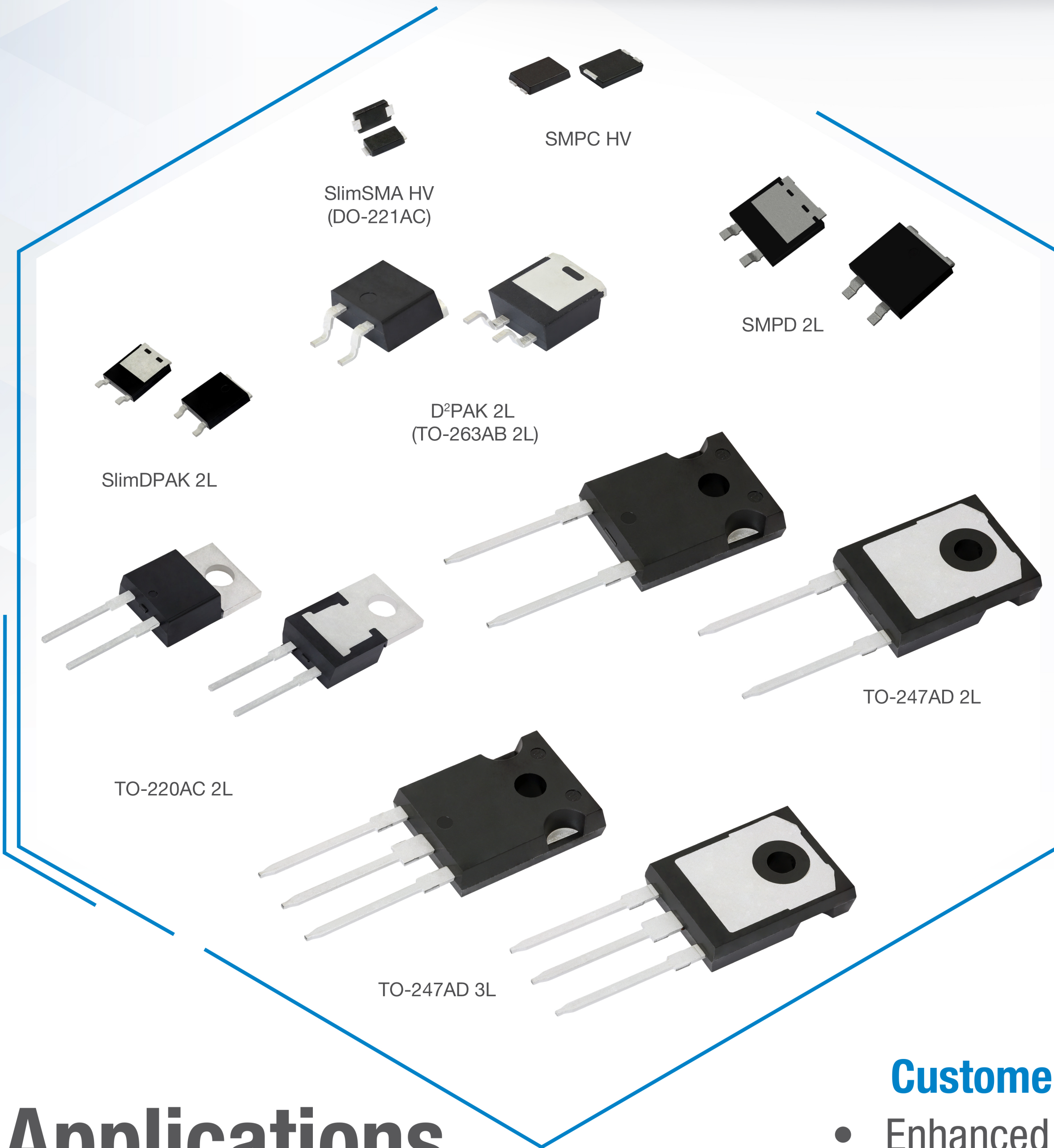




The DNA of tech.®

# Silicon Carbide (SiC) Schottky Diodes



## SiC Diode Packages

### Features

- Ideal for high frequency applications
- Features low  $V_F \times Q_C$ , minimizing power losses
- Positive  $V_F$  temperature coefficient simplifies parallel operation
- Virtually no recovery tail, no switching losses, and temperature-invariant switching

## Applications



ON-BOARD CHARGERS (OBC)



INDUSTRIAL



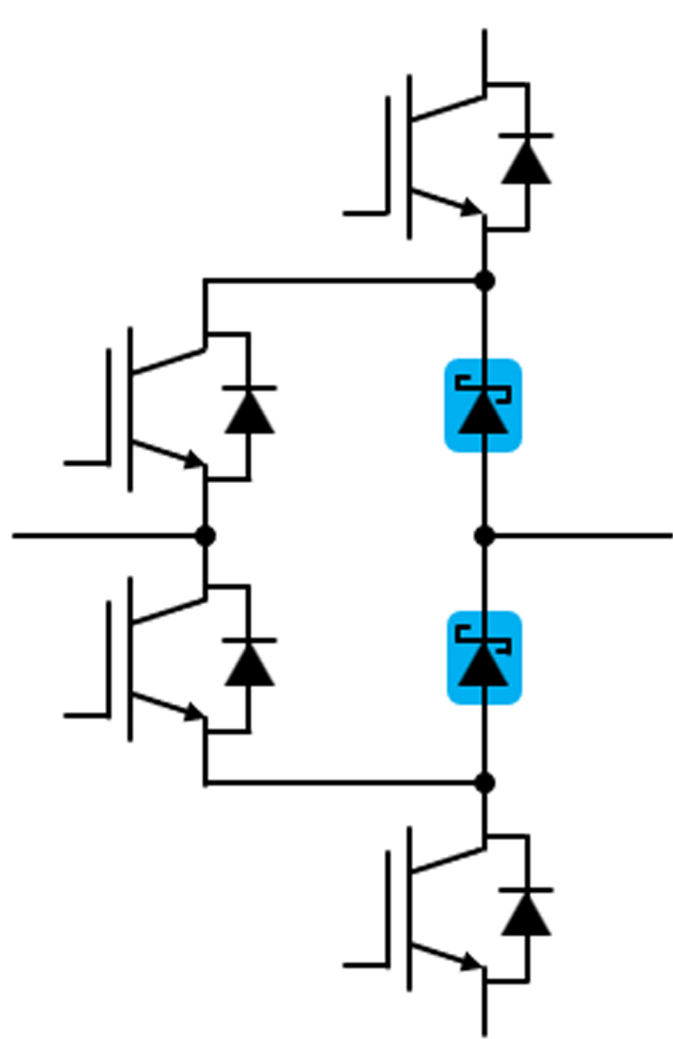
AI SERVER POWER SUPPLIES



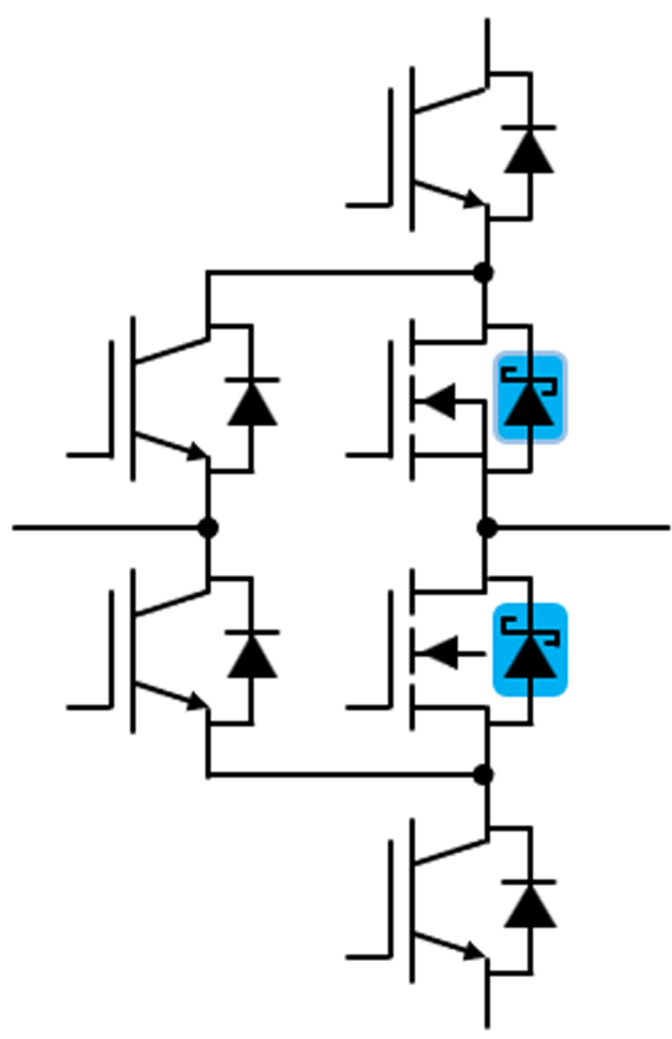
AUTOMOTIVE

### Customer Benefits

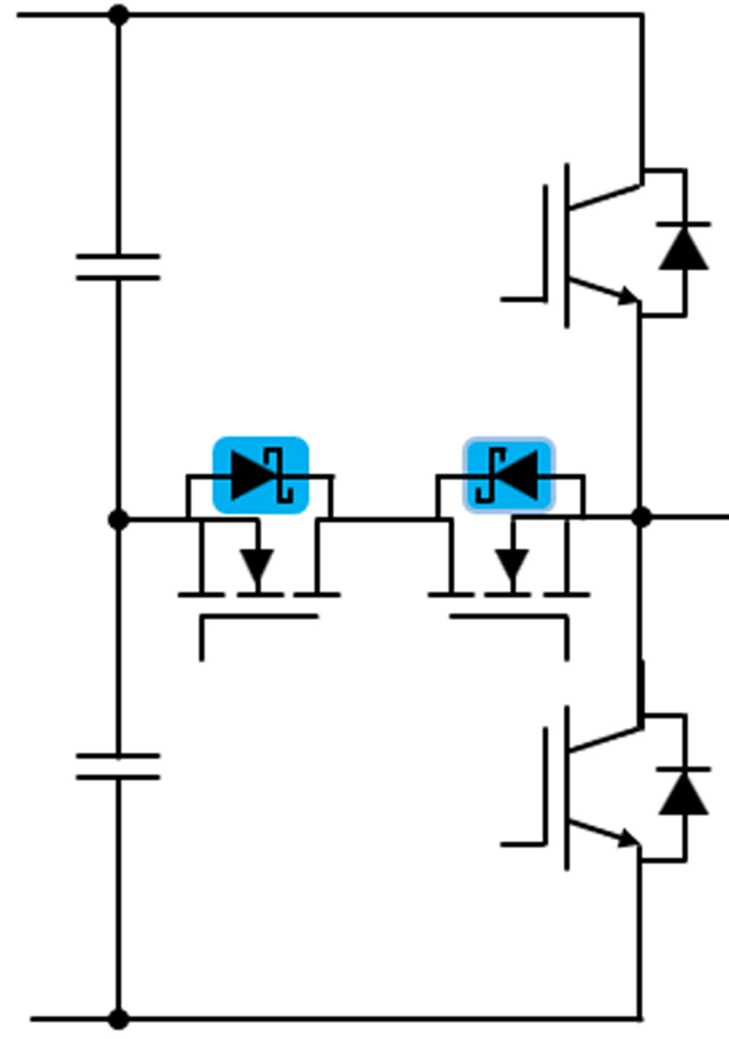
- Enhanced Efficiency
- Low Power Dissipation
- Easy Paralleling
- Superior Switching Performance
- High Thermal Capability



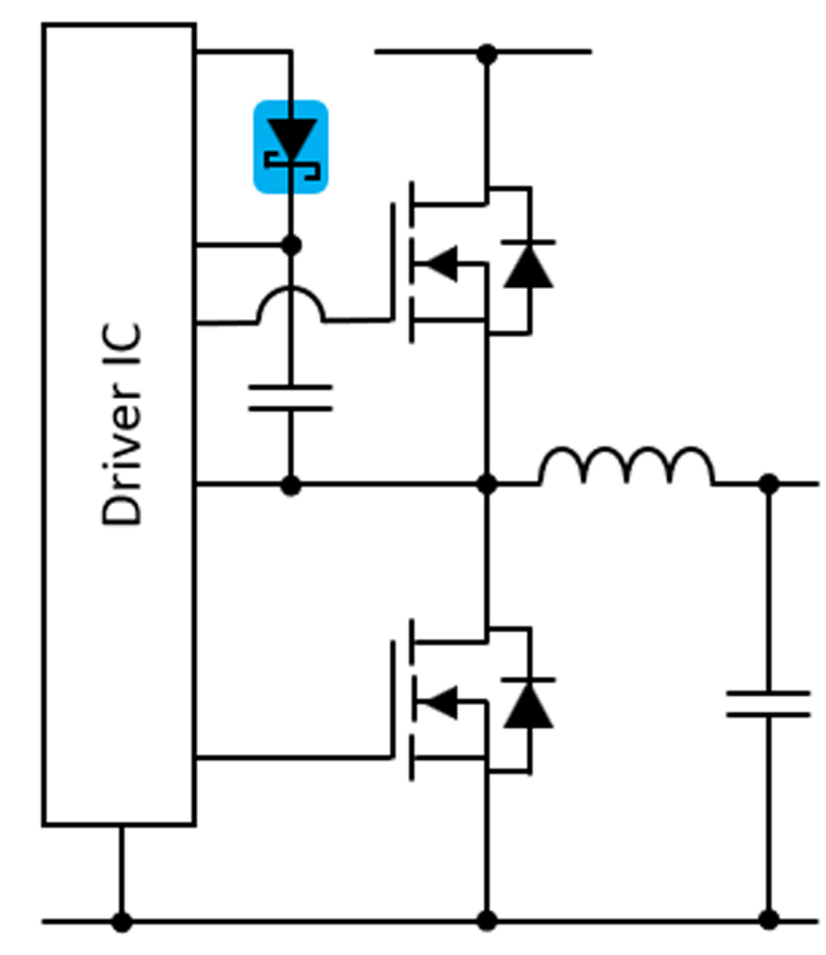
Neutral Point Clamped (NPC)



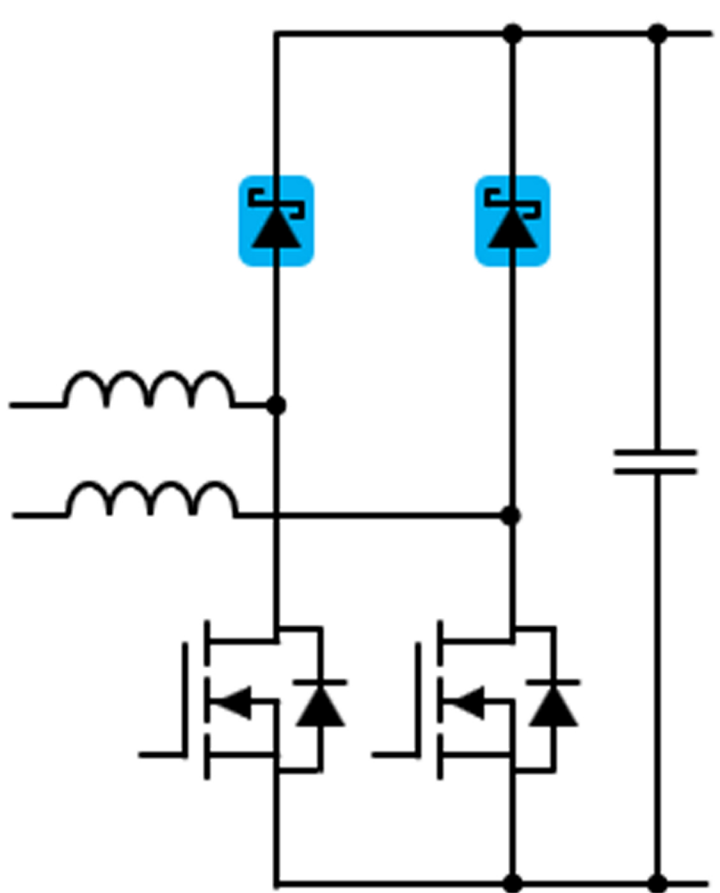
Active NPC



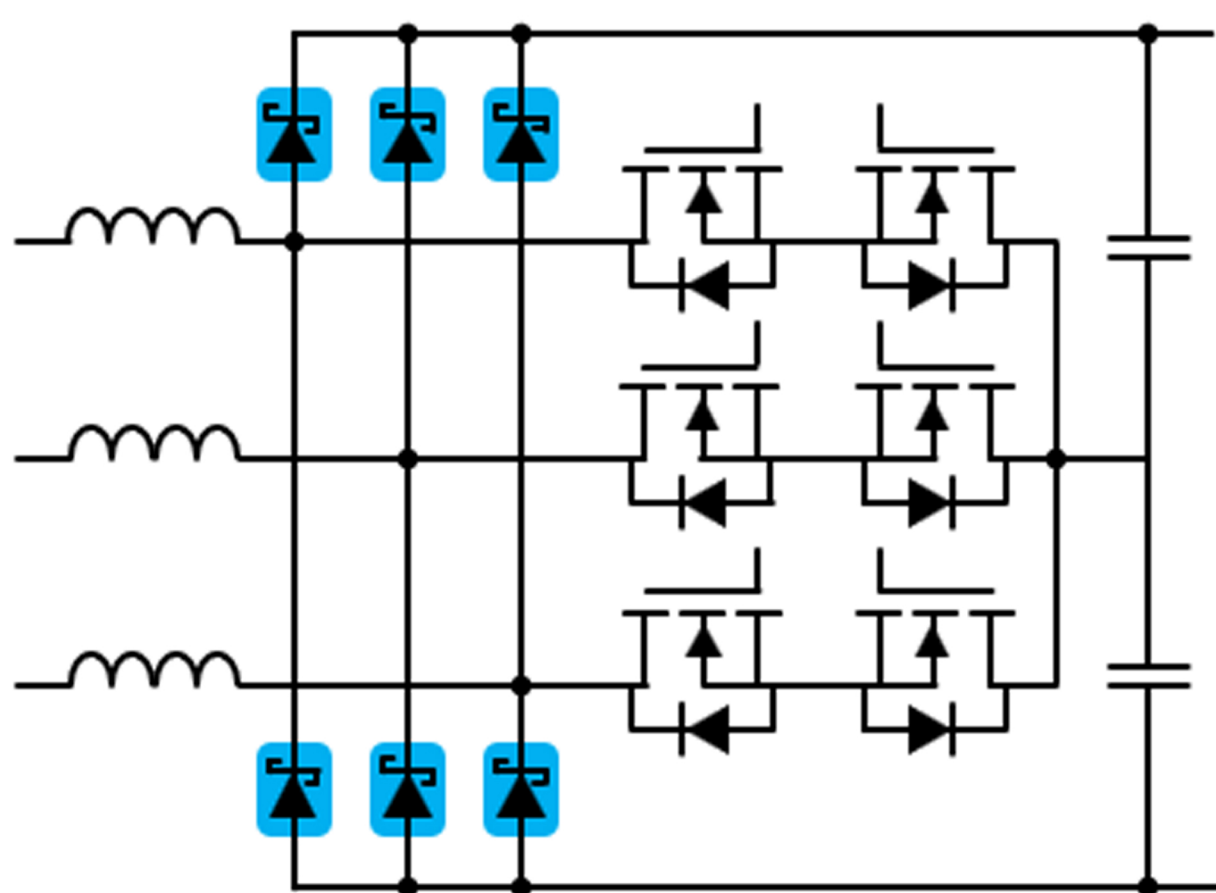
T-Type NPC



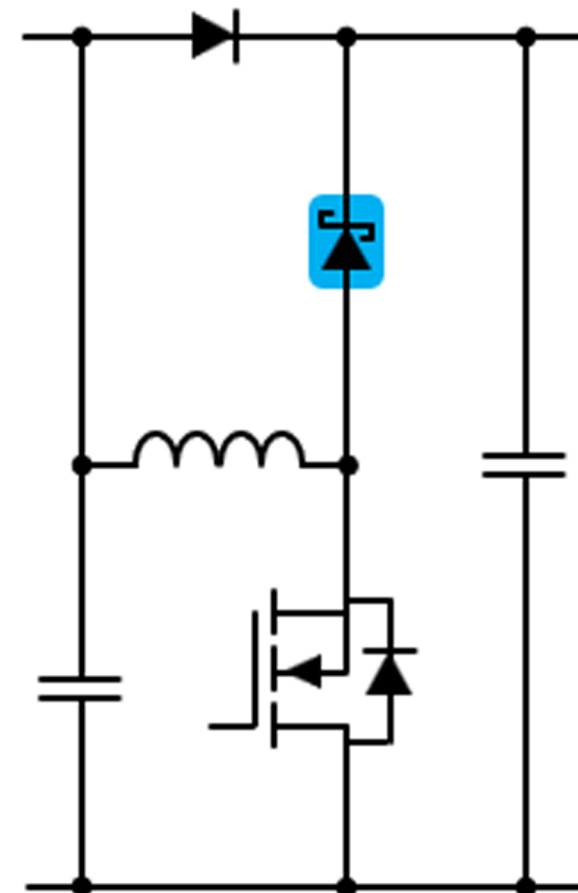
Bootstrap



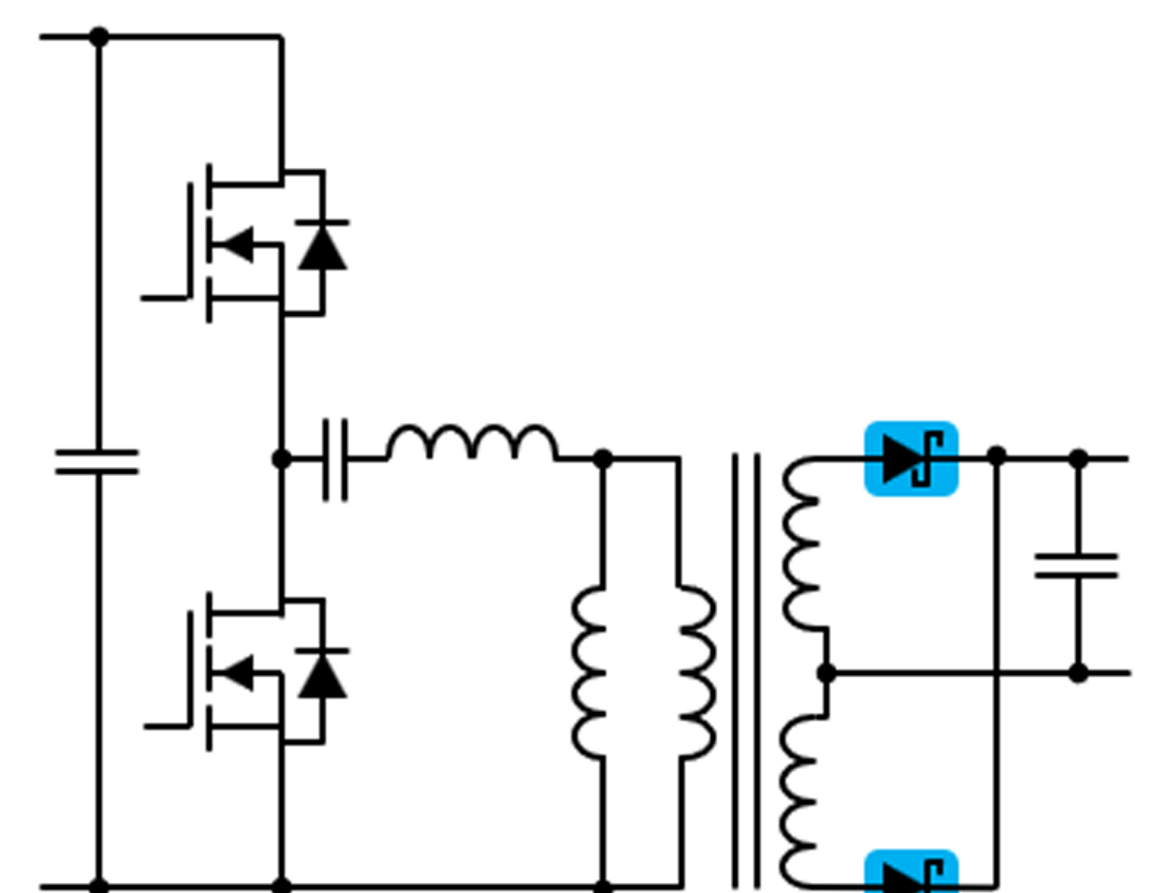
Interleaved PFC



Vienna PFC



Baby Boost



LLC Converter